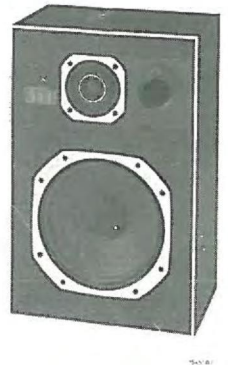
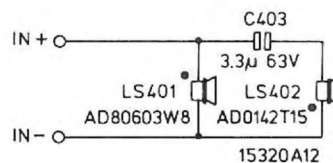


Service
Service
Service



Service Manual

| | | | |
|---|------------------|---|----------------|
| Volume Volume | : 17 litres | Cross-over frequencies Frequences de convergence | : 3800 Hz |
| Dimensions Dimensions | : 437x285x180 mm | Resonance frequency Fréquence de résonance | : 18-88 Hz |
| Weight Poids | : 5.6 kg | Frequency range Réponse de fréquence | : 42-20.000 Hz |
| Rated impedance Impédance nominale | : 8 Ω | Slope: high-pass Pente: passe-haut | : 6 dB/oct. |
| Power handling capacity Capacité de charge | : 40 W | | |



GB

Safety regulations require that the set be restored to its original condition and that parts which are identical with those specified, be used.

F

Les normes de sécurité exigent que l'appareil soit remis à l'état d'origine et que soient utilisées les pièces de rechange identiques à celles spécifiées.

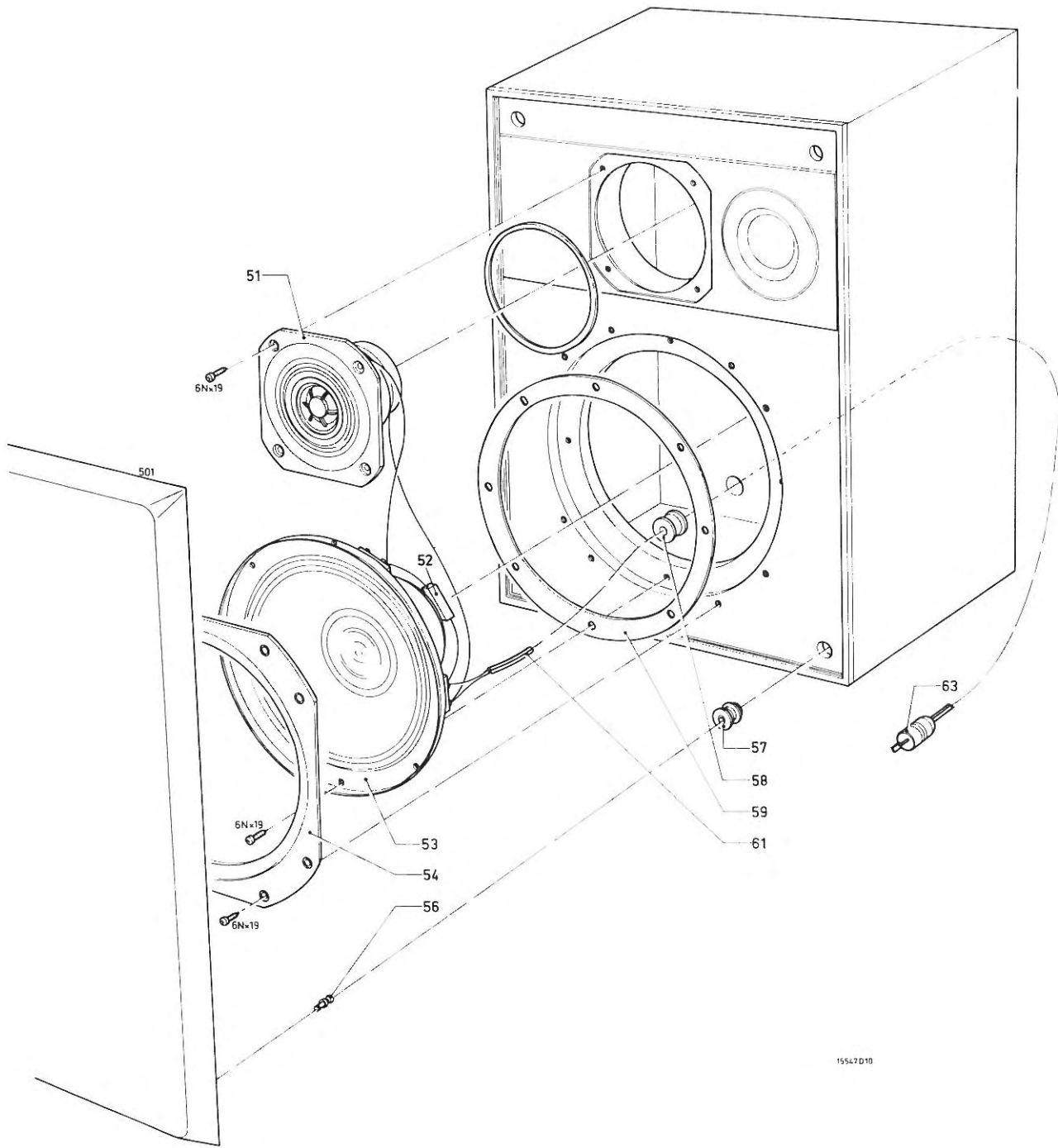
Documentation Technique Service Dokumentation Documentazione di Servizio Huolto-Ohje Manual de Servicio Manual de Servicio



Subject to modification
4822 725 12801
Printed in The Netherlands

PHILIPS

CS 62 167



15547D10

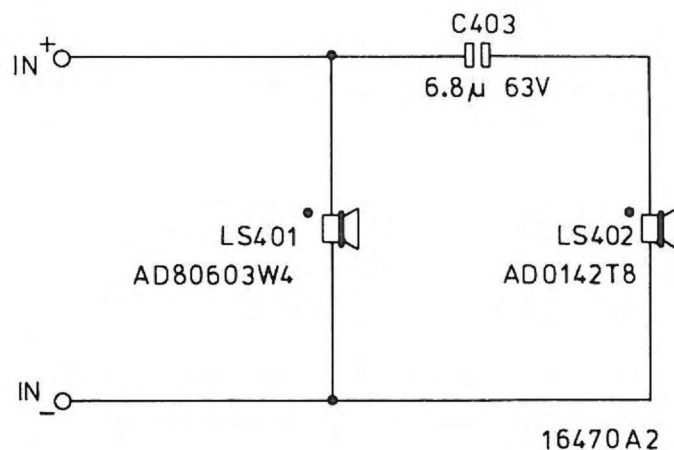
- | | | |
|----|----------------|-------------|
| 51 | 4822 240 70029 | — AD0142T15 |
| 52 | 4822 124 20747 | |
| 53 | 4822 240 60094 | — AD80603W8 |
| 54 | 4822 466 90885 | |
| 56 | 4822 535 91104 | |
| 57 | 4822 462 40364 | |
| 58 | 4822 325 60204 | |
| 59 | 4822 532 51076 | |
| 61 | 4822 322 20014 | — 100 m |
| 63 | 4822 264 30041 | |

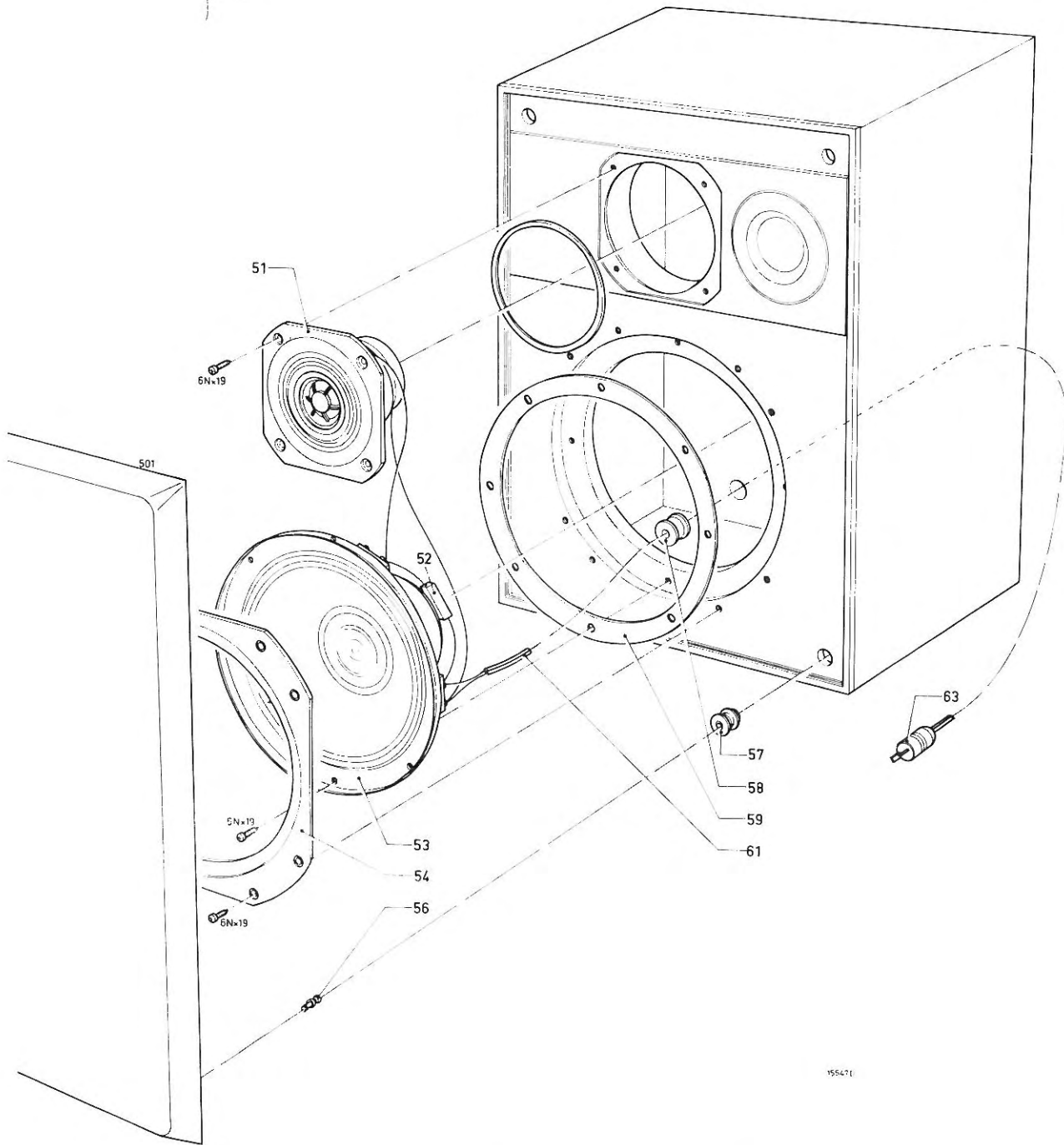
Service
Service
Service



Service Manual

| | | | |
|---|------------------|---|------------------|
| Volume Volume | : 17 litres | Cross-over frequencies Frequences de convergence | : 3000 Hz |
| Dimensions Dimensions | : 437x285x180 mm | Resonance frequency Fréquence de résonance | : 18 - 88 Hz |
| Weight Poids | : 5.6 kg | Frequency range Réponse de fréquence | : 42 - 20.000 Hz |
| Rated impedance Impédance nominale | : 4 Ω | Slope: High-pass Pente: Passe-haut | 6 dB/oct. |
| Power handling capacity Capacité de charge | : 40 W | | |





155471

- | | |
|----|----------------------------|
| 51 | 4822 240 70028 - AD0142T8 |
| 52 | 4822 124 20749 |
| 53 | 4822 240 60102 - AD80603W4 |
| 54 | 4822 466 90885 |
| 55 | 4822 535 91104 |
| 56 | 4822 462 40364 |
| 57 | 4822 325 60204 |
| 58 | 4822 532 51076 |
| 59 | 4822 322 20014 - 100 m |
| 60 | 4822 264 30041 |

From change code PL01 the tweeter for the 22AH483/01 and the 22AH483/29 has been changed from AD0142/T8 to AD0142/T4.
Code number 4822 240 70034.

From change code PL01 the tweeter for the 22AH483/00 and the 22AH483/28 has been changed from AD0142/T15 to AD0142/T8.
Code number 4822 240 70028.

The bip. electrolytic capacitor 403 will be changed from 3,3 μ F 63 V to 4,7 μ F 63 V. Code number 4822 124 20748.

The change of electrolytic capacitor 403 only applies to the 22AH483/00 and the 22AH483/28.

Reason : improvement of spectrum pressure level.

